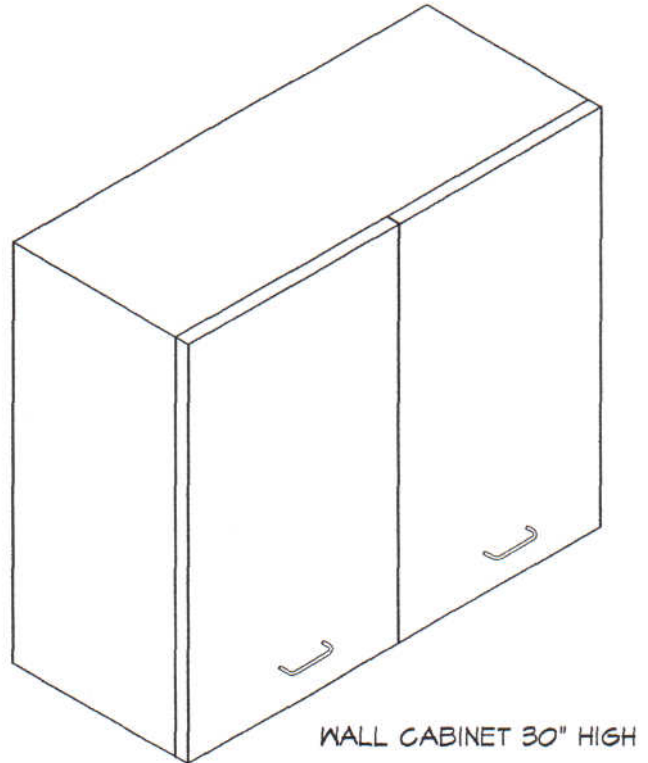
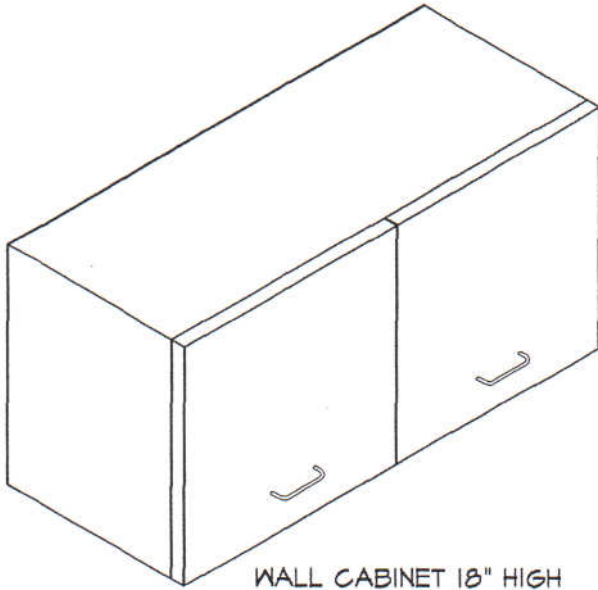


# SEBASTIAN DARKROOM CASEWORK

## WALL CABINETS - SWC

"SWC" WALL CABINETS ARE AVAILABLE IN TWO HEIGHTS, 18" HIGH and 30" HIGH. WALL CABINETS WITH DOOR OPENINGS WIDER THAN 24" ARE SUPPLIED WITH TWO DOORS. CABINETS WITH SINGLE DOORS WILL BE HINGED LEFT OR HINGED RIGHT AS SPECIFIED.

18" HIGH CABINETS HAVE ONE ADJUSTABLE SHELF AND 30" HIGH CABINETS HAVE TWO ADJUSTABLE SHELVES.



WALL CABINET MODEL	WIDTH	HEIGHT	DEPTH
SWC-151813	15"	18"	13"
SWC-181813	18"	18"	13"
SWC-211813	21"	18"	13"
SWC-241813	24"	18"	13"
SWC-271813	27"	18"	13"
SWC-301813	30"	18"	13"
SWC-331813	33"	18"	13"
SWC-361813	36"	18"	13"

WALL CABINET MODEL	WIDTH	HEIGHT	DEPTH
SWC-153013	15"	30"	13"
SWC-183013	18"	30"	13"
SWC-213013	21"	30"	13"
SWC-243013	24"	30"	13"
SWC-273013	27"	30"	13"
SWC-303013	30"	30"	13"
SWC-333013	33"	30"	13"
SWC-363013	36"	30"	13"



### SEBASTIAN DARKROOM PRODUCTS™ DIVISION OF CALIFORNIA STAINLESS MFG.

Unique, Innovative & Engineered to Work  
TOLL FREE (888) 712-7035 FAX (805) 484-1030  
calstainless@aol.com  
www.sebastiandarkroomprod.com