

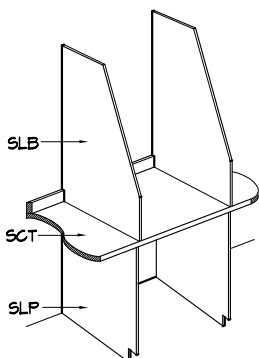
SEBASTIAN CASEWORK

SEBASTIAN DARKROOM CASEWORK

DESIGNS FOR "IN-LINE" SEBASTIAN PHOTO DARKROOM ENLARGER STATIONS USING LEG PANEL CONSTRUCTION

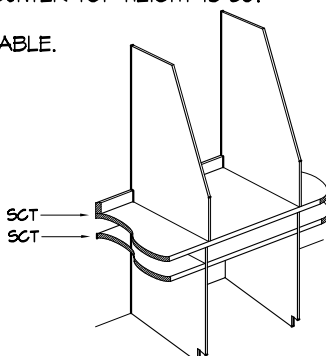
IN A GROUP ("GANG") DARKROOM, EACH STUDENT NEEDS HIS/HER OWN PLACE TO ENLARGE NEGATIVES; HENCE, THE SEBASTIAN ENLARGER STATION. ILLUSTRATED BELOW ARE SIX POPULAR STATIONS THAT PROVIDE VARIOUS FEATURES THAT ENHANCE TEACHING AND LEARNING THE ART OF MAKING QUALITY PHOTOGRAPHS IN MINIMUM TIME.

THESE ENLARGER STATIONS ARE AVAILABLE IN WIDTHS OF 30" 36" 39" & 42" AND DEPTHS OF 25" & 30." STANDARD COUNTER TOP HEIGHT IS 36." LIGHT BAFFLES ARE 48" HIGH. LOCKS WITH MASTER KEY ARE AVAILABLE.



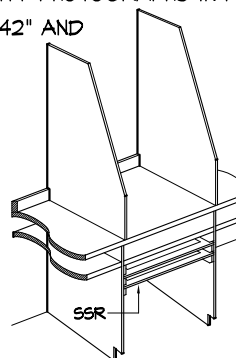
DESIGN-G

AN "SCT" COUNTER TOP IS MOUNTED ON TWO "SLP" LEG PANELS TO FORM THIS ENLARGER STATION. ADDING TWO LIGHT BAFFLES COMPLETES DESIGN "G."



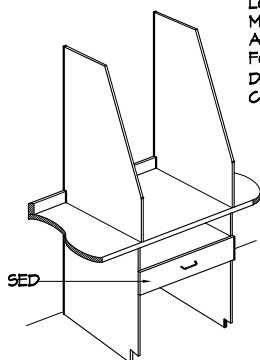
DESIGN-H

AN "SCT" COUNTER TOP IS MOUNTED ON TWO "SLP" LEG PANELS TO FORM THIS ENLARGER STATION. AN "SCT" SHELF BELOW WILL HOLD EASELS, ETC. ADDING TWO "SLB" LIGHT BAFFLES COMPLETES DESIGN "H"



DESIGN-J

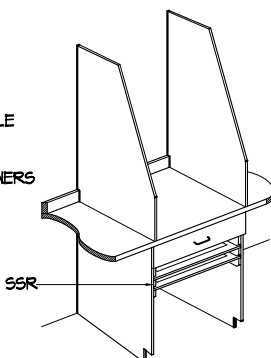
THIS ENLARGER STATION IS THE SAME AS DESIGN "H" WITH TWO SLIDE-OUT PRINT DRYING SCREENS ADDED. WITH TWO "SLB" LIGHT BAFFLES ADDED, THIS COMPLETES DESIGN "J."



DESIGN-K

THIS ENLARGER STATION IS THE SAME AS DESIGN "G" WITH AN "SED" DRAWER POSITIONED TO PROVIDE A SHELF AS WELL. ADDING 2 "SLB" LIGHT BAFFLES COMPLETES DESIGN "K."

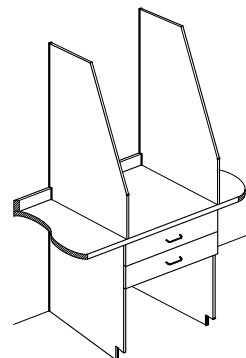
LOCKS WITH MASTER KEY ARE AVAILABLE FOR ALL DRAWERS & CABINET DRAWERS



DESIGN-L

THIS ENLARGER STATION PROVIDES A "SED" DRAWER & TWO "SSR" PRINT DRYING SCREENS. ADDING TWO "SLB" LIGHT BAFFLES COMPLETES DESIGN "L."

AN "SRVA-105-57" SAFE VIEW LIGHT IS AVAILABLE FOR ALL DESIGNS.



DESIGN-M

THIS ENLARGER STATION IS AN "SCT" COUNTER TOP SUPPORTED BY TWO "SLP" LEG PANELS. TWO DRAWERS ARE PROVIDED. THE UPPER DRAWER CAN BE EQUIPPED WITH A LIGHT-TIGHT SEAL (ORDER AS AN OPTION) & THE LOWER DRAWER IS FOR EQUIPMENT. TWO "SLB" LIGHT BAFFLES COMPLETES DESIGN "M."



SEBASTIAN DARKROOM PRODUCTS™ DIVISION OF CALIFORNIA STAINLESS MFG.

Unique, Innovative & Engineered to Work
TOLL FREE (888) 712-7035 FAX (805) 484-1030
calstainless@aol.com
www.sebastiandarkroomprod.com