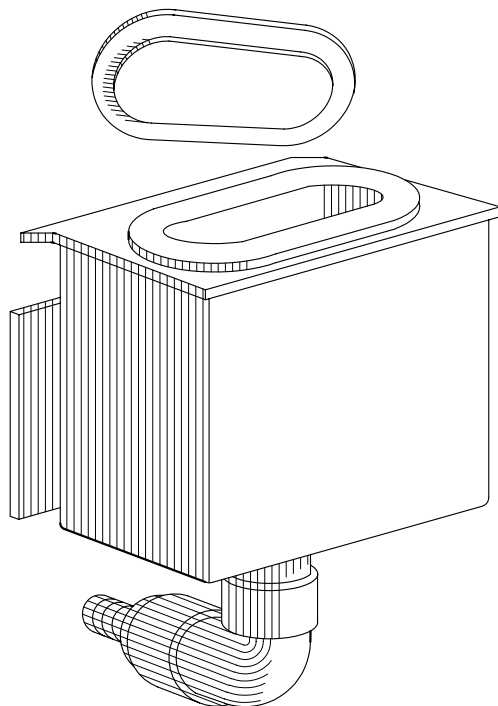


## SEBASTIAN SPECIALITY PRODUCTS

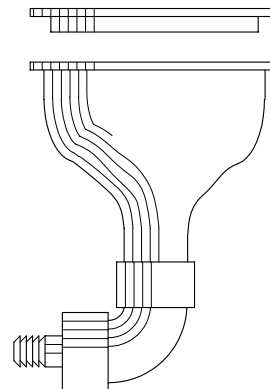
# SEBASTIAN SPENT-FIX CUPSINK - MODEL: SSCCS-1

THIS UNIQUE CUPSINK ASSEMBLY PROVIDES A SAFE, ODORLESS AND CONVENIENT WAY TO CONDUCT & FUNNEL SPENT-FIX TO A TOTE JUG OR A SILVER RECOVERY SYSTEM BELOW A SINK. CUPSINKS ARE MADE OF POLYPROPYLENE AND THE HOUSING OF PVC, BOTH INERT TO ALL DARKROOM CHEMICALS.



SSCCS-1 CUPSINK WITH PVC HOUSING & LID

- CUPSINK HOUSING AND LID ARE CONSTRUCTED OF GRAY PVC WITH A POLYPROPYLENE BOWL
- SSCCS-1 IS EASY TO POSITION AT SINK RAIL AND IS EASY TO MOUNT WITH TWO MOUNTING FLANGES (DRILLED ON SITE)
- SUPPLIED WITH STRAINER, ELBOW & 1" HOSE ADAPTER



SSCCS-2 CUPSINK WITH  
ELBOW, 1" MALE HOSE ADAPTER,  
STRAINER & LID BUT NO HOUSING

SSCCS-3 CUPSINK WITH  
STRAINER BUT WITHOUT HOUSING,  
WITHOUT ELBOW & WITHOUT  
1" MALE HOSE ADAPTER

- MEASUREMENTS: (WITH HOUSING)  
OVERALL: 10" L x 6" W x 12" H
- EASILY MOUNTS TO A  
KREONITE-KREOLAB SINK

THIS IS AN  
ORIGINAL PRODUCT



SEBASTIAN DARKROOM PRODUCTS™  
DIVISION OF CALIFORNIA STAINLESS MFG.

Unique, Innovative & Engineered to Work  
TOLL FREE (888) 712-7035 FAX (805) 484-1030  
calstainless@aol.com  
www.sebastiandarkroomprod.com