

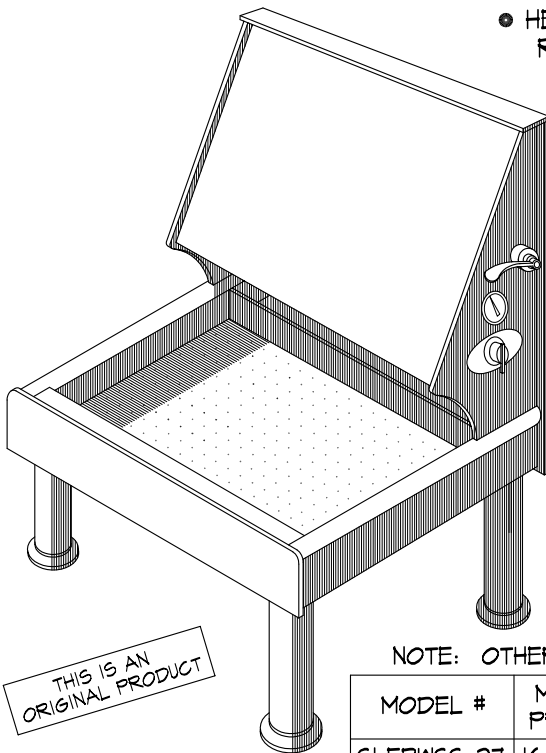
# SEBASTIAN PRINT WASHERS

## ADA PVC PVC PRINT WASHER WITH LAMINAR-FLOW, SINGLE SQUEEGEE BOARD AND WASH WATER TEMPERATURE CONTROL

SEBASTIAN LAMINAR-FLOW PRINT WASHERS PROVIDE THOROUGH PRINT WASHING FOR STUDENTS WHO HAVE A LIMITED TIME TO PRODUCE QUALITY PRINTS. PRINTS ARE THOROUGHLY WASHED BY UNDERWATER JETS OF TEMPERED WATER WHILE CHEMICALS ARE DRAINED AWAY THROUGH A PERFORATED BOTTOM DRAIN PLATE. LARGER PRINTS CAN BE WASHED IN A LAMINAR-FLOW WASHER THAN THE SAME OVERALL SIZE CIRCULAR WASHER. THIS PRODUCT IS MADE ENTIRELY OF PVC WHICH IS INERT TO ALL DARKROOM CHEMICALS.

### STANDARD FEATURES

- HEAVY DUTY GRAY PVC CONSTRUCTION WITH RECESSED DECK - (ELIMINATES SPILLS)
- WATER TEMP BLENDING PROVIDES REGULATED WASH WATER TEMP
- UNDERWATER WATER-SUPPLY JETS PROVIDE A THOROUGH WASHING
- PG-4100063 PRESSURE BALANCER GUARDS AGAINST TEMP SHIFTS
- WATER LEVEL MAINTAINED BY A QUICK-DUMP CONTROL
- EXCESS WATER FROM SQUEEGEE DRAINS BACK INTO WASHER
- PERFORATED BOTTOM PLATE DRAINS AWAY CHEMICALS FROM WASH-WATER
- HEAVY DUTY PVC TUBULAR LEGS PROVIDES EASY LEVELING & ASSURED ADA COMPLIANCE



NOTE: OTHER SIZES AVAILABLE UPON REQUEST

MODEL #	MAX . PRINT	BATH SIZE	SQUEEGEE BD SIZE	OVERALL SIZE LWH	CAP. GAL.
SLFPWSS-27	16x20"	24x24"	24x31"	36x36x72"	10
SLFPWSS-33	28x30"	32x32"	32x31"	42x38x72"	25
SLFPWSS-44	42x36"	45x36"	42x31"	51x51x72"	45

IMPORTANT NOTE: 45 PSI MINIMUM STATIC PRESSURE REQUIRED



## SEBASTIAN DARKROOM PRODUCTS™ DIVISION OF CALIFORNIA STAINLESS MFG.

Unique, Innovative & Engineered to Work  
TOLL FREE (888) 712-7035 FAX (805) 484-1030

[calstainless@aol.com](mailto:calstainless@aol.com)

[www.sebastiandarkroomprod.com](http://www.sebastiandarkroomprod.com)