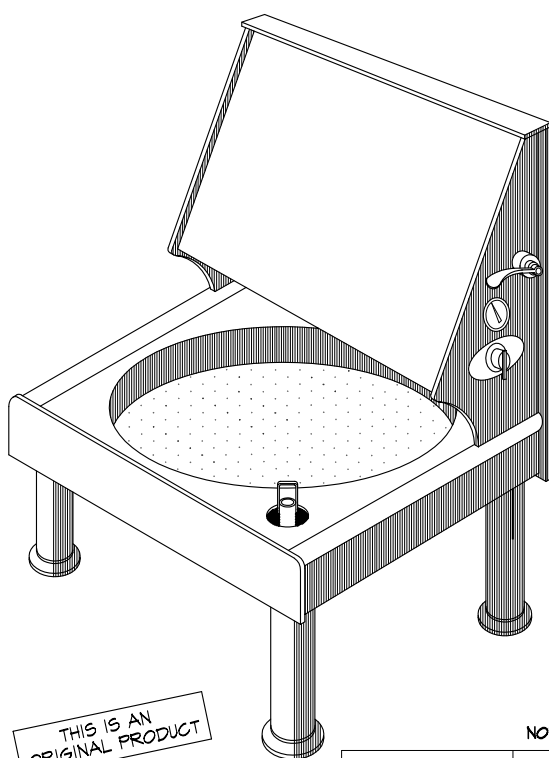


SEBASTIAN PRINT WASHERS

ADA PVC CIRCULAR PRINT WASHERS WITH SINGLE SQUEEGEE BOARD & TEMP BLENDER

SEBASTIAN CIRCULAR PRINT WASHERS PROVIDE THOROUGH PRINT WASHING FOR STUDENTS WHO HAVE A LIMITED TIME TO PRODUCE QUALITY PRINTS. TEMPERATURE BLENDED WASH WATER IS SUPPLIED TO UNDERWATER JETS TO PRODUCE A GENTLE, CIRCULAR WASHING ACTION WHILE DRAINING AWAY CHEMICALS THROUGH A PERFORATED BOTTOM PLATE WHICH ELIMINATES PRINTS BLOCKING THE DRAIN.

THIS TYPE OF WASHER WITH SINGLE SQUEEGEE BOARD IS DESIGNED TO BE POSITIONED AT THE END OF A WALK-AROUND SINK.



STANDARD FEATURES

- HEAVY DUTY GRAY PVC CONSTRUCTION RECESSED DECK (ELIMINATES SPILLS)
- WASH WATER TEMPERATURE IS REGULATED WITH A TEMP BLENDER
- UNDERWATER JETS MOVE PRINTS IN A CIRCULAR MOTION FOR A THOROUGH WASH
- PG-4100063 PRESSURE BALANCER GUARDS AGAINST TEMPERATURE SHIFTS
- WATER LEVEL CONTROLLED BY A QUICK-DUMP CONTROL
- EXCESS WATER FROM SQUEEGEE BOARD DRAINS INTO WASH WATER BELOW
- PERFORATED BOTTOM PLATE KEEPS PRINTS FROM SEALING OFF DRAIN - FIXER IS QUICKLY DRAINED AWAY
- HEAVY DUTY PVC TUBULAR LEVELING LEGS ARE STANDARD AND ADA COMPLIANT
- FLOW CONTROL VALVE (WITH WRIST-BLADE HANDLE) ADJUST SPEED OF WASH WATER

NOTE: OTHER SIZES AVAILABLE UPON REQUEST

MODEL #	MAX . PRINT	BOWL DIAM.	SQUEEGEE BD SIZE	OVERALL SIZE LxWxH	WASH WATER CAPACITY
SCPWSS-27	16x20"	27"	24x30"	30x36x72"	8 GALLONS
SCPWSS-33	20x24"	33"	32x31"	39x42x72"	14 GALLONS
SCPWSS-44	30x30"	44"	42x30"	51x51x72"	22 GALLONS

IMPORTANT NOTE: 45 PSI MINIMUM STATIC PRESSURE REQUIRED



SEBASTIAN DARKROOM PRODUCTS™

DIVISION OF CALIFORNIA STAINLESS MFG.

Unique, Innovative & Engineered to Work
TOLL FREE (888) 712-7035 FAX (805) 484-1030
calstainless@aol.com

www.sebastiandarkroomprod.com