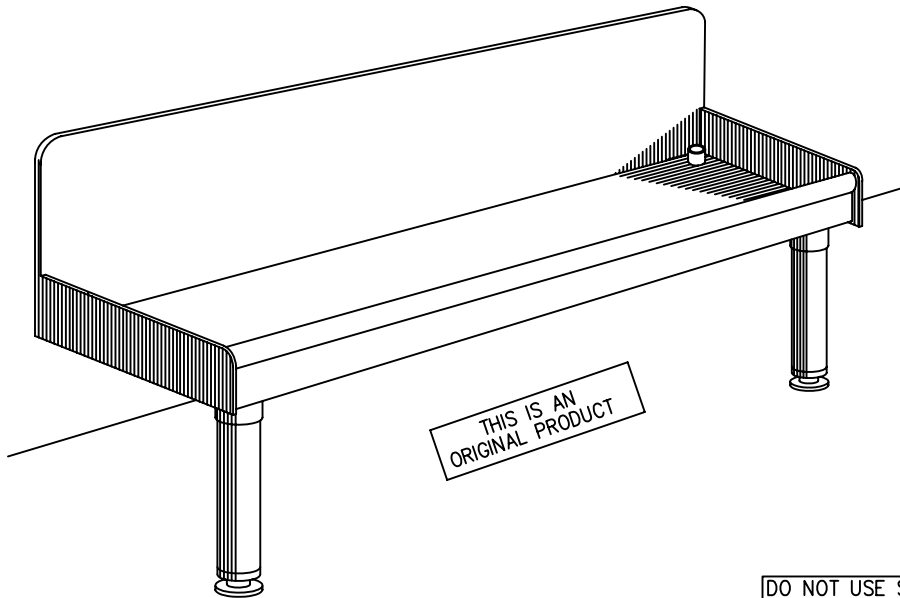


# SEBASTIAN ADA "E-SERIES" WALL SINKS

WITH FLAT SINK BOTTOM & BACK SPLASH PANEL  
WITHOUT FACTORY INSTALLED FAUCETS

SEBASTIAN SINKS ARE CONSTRUCTED OF GRAY POLYVINYL CHLORIDE, PVC, PLASTIC WHICH IS INERT TO ALL DARKROOM CHEMICALS. PVC IS EASY TO CLEAN AND MAINTAIN. THESE "SWS-E" SINKS ARE SUPPORTED BY A WALL & HEAVY DUTY PVC LEVELING FRONT LEGS. THE SINK RAIL HEIGHT IS 34" AFF (COMPLIANT WITH ADA GUIDELINES FOR WHEELCHAIR STUDENTS). THERE IS NO FAUCET DECK; HENCE, FAUCETS CAN NOT BE FACTORY INSTALLED. A 10" HIGH BACKPANEL IS AN INTEGRAL PART OF THE SINK & PANEL MOUNTED FAUCETS CAN BE INSTALLED ON LOCATION.



## STANDARD FEATURES

- SMOOTH FLAT SINK BOTTOM
- PVC CONSTRUCTION THROUGHOUT
- TUBULAR SINK RAIL
- EASY LEVELING FRONT LEGS
- 1-1/2" DRAIN WITH STRAINER & 3" STANDPIPE (FAR RIGHT CORNER AS ILLUSTRATED UNLESS ORDERED OTHERWISE)
- ONE YEAR LIMITED WARRANTY

DO NOT USE SOLVENTS IN PVC SINKS

## E-SERIES ADA PVC SINKS WITH LEGS

### OPTIONAL FEATURES

- LABORATORY GRADE PANEL MOUNTED FAUCET #L1711VB-BH
- PANEL MOUNTED DUAL-HEAD EYE-WASH UNIT #EW-1041
- SPENT-FIX DUMP TROUGH WITH STRAINER, CAP & HOSE ADAPTER

MODEL	OVERALL LENGTH	OVERALL WIDTH	INSIDE L x W x D	FRONT LEGS
SWS-E4830-F	48"	30"	47"x26"x5"	2
SWS-E6030-F	60"	30"	59"x26"x5"	2
SWS-E7230-F	72"	30"	71"x26"x5"	2
SWS-E8430-F	84"	30"	83"x26"x5"	2
SWS-E9630-F	96"	30"	95"x26"x5"	3
SWS-E10830-F	108"	30"	107"x26"x5"	3
SWS-E12030-F	120"	30"	119"x26"x5"	3

TO ORDER SINK WITHOUT LEGS, ADD "NL" TO MODEL # (SWS-E4830-FNL)



## SEBASTIAN DARKROOM PRODUCTS™ DIVISION OF CALIFORNIA STAINLESS MFG.

Unique, Innovative & Engineered to Work  
TOLL FREE (888) 712-7035 FAX (805) 484-1030

[calstainless@aol.com](mailto:calstainless@aol.com)

[www.sebastiandarkroomprod.com](http://www.sebastiandarkroomprod.com)