

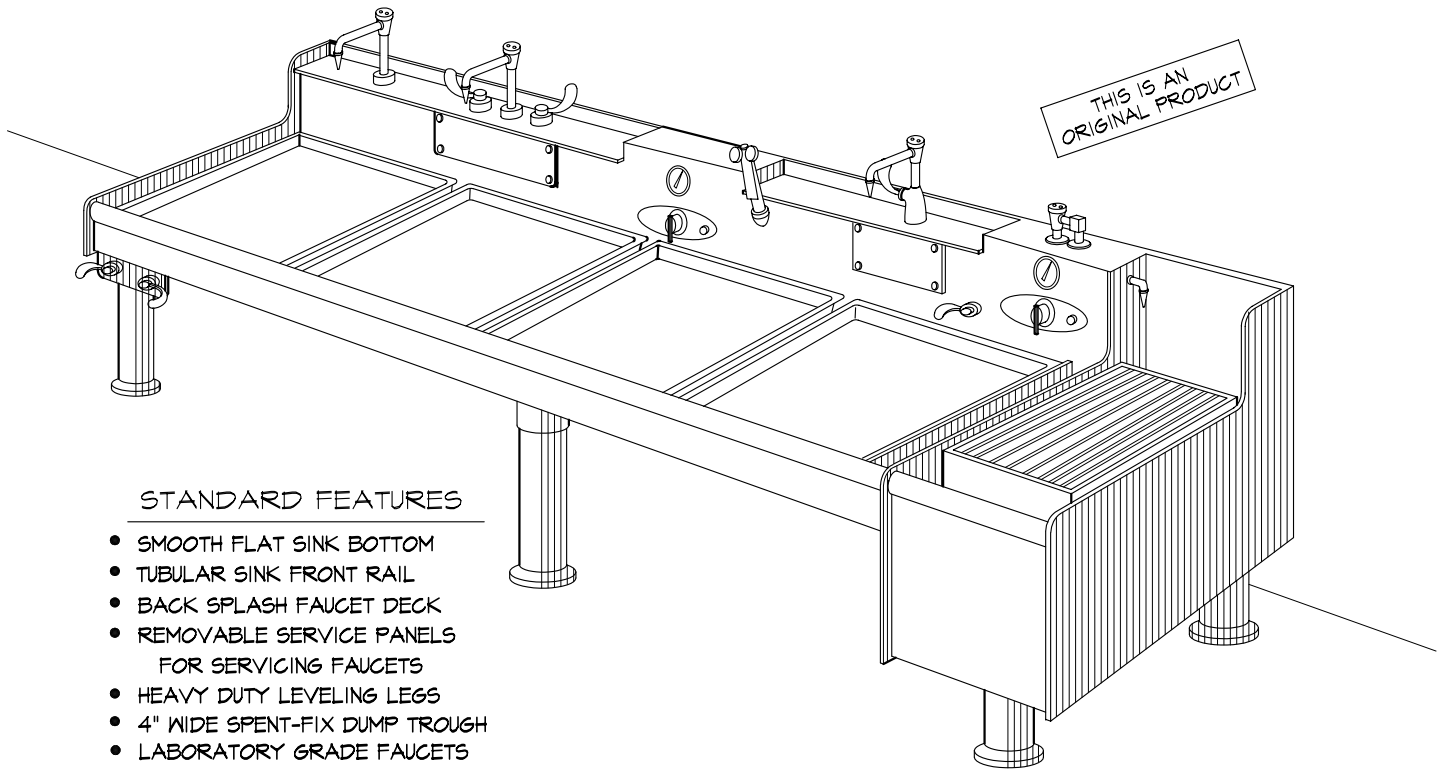
SEBASTIAN DARKROOM SINKS

SEBASTIAN ADA PVC FINE ART PRINT PROCESSING WALL SINK

MODEL: SFAWS-10636-F (FOR 16x20" PRINTS) 8'-10" WIDE x 3'-0" DEEP

MODEL: SFAWD-12140-F (FOR 20x24" PRINTS) 10'-1" WIDE x 3'-4" DEEP

THE SEBASTIAN FINE ART SINK IS FULLY EQUIPPED AS ILLUSTRATED. REMOTE VALVES AT THE FRONT ARE PROVIDED FOR WHEELCHAIR STUDENTS. SEPARATE TEMPERATURE BLENDERS ARE SUPPLIED FOR TRAY AND/OR ARCHIVAL WASHING. FULL-LENGTH DUMP-TROUGH FACILITATES EASY DISPOSAL OF "SPENT-FIX." DUAL-HEAD EYE-WASH UNIT IS MOUNTED IN A CENTRAL POSITION. TRAYS & WASHER ARE ORDERED SEPARATELY. ENTIRE CONSTRUCTION IS PVC, INERT TO ALL PHOTO DARKROOM CHEMICALS. FACTORY PRE-PLUMBED & TESTED AT 100 PSI. 1-1/2" PVC DRAINS w/STRAINERS.



STANDARD FEATURES

- SMOOTH FLAT SINK BOTTOM
- TUBULAR SINK FRONT RAIL
- BACK SPLASH FAUCET DECK
- REMOVABLE SERVICE PANELS FOR SERVICING FAUCETS
- HEAVY DUTY LEVELING LEGS
- 4" WIDE SPENT-FIX DUMP TROUGH
- LABORATORY GRADE FAUCETS WITH WRIST BLADE HANDLES

DO NOT USE SOLVENTS IN PVC SINKS



SEBASTIAN DARKROOM PRODUCTS™ DIVISION OF CALIFORNIA STAINLESS MFG.

Unique, Innovative & Engineered to Work
TOLL FREE (888) 712-7035 FAX (805) 484-1030

calstainless@aol.com

www.sebastiandarkroomprod.com