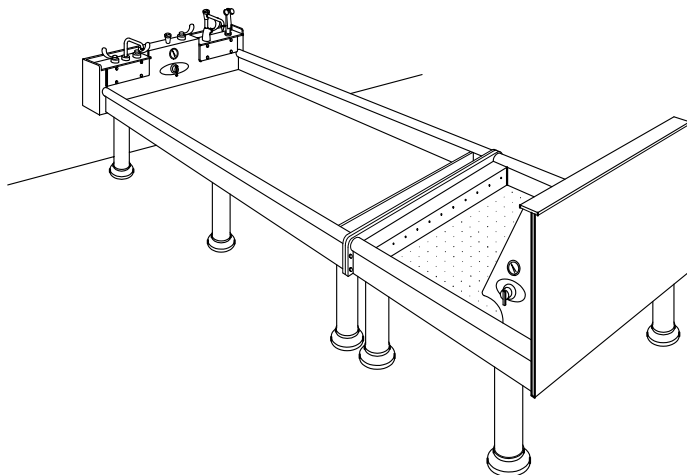
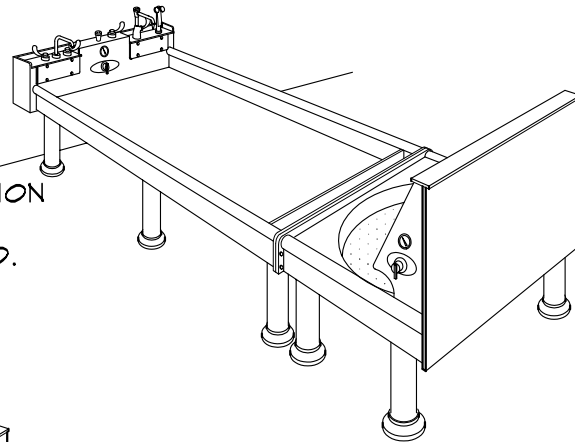


SEBASTIAN SINKS WITH WASHERS

SEBASTIAN PVC COMPANION WALK-AROUND SINKS & PRINT WASHERS

WHEN TEACHING PRINT PROCESSING IN A GROUP SETTING, IT IS IDEAL TO HAVE THE PRINT WASHER ATTACHED TO AND AT THE SAME LEVEL AS THE WALK-AROUND SINK TO PROVIDE AN UNINTERRUPTED FLOW OF THE PROCESS. WHEN THE PRINT WASHER IS ADJACENT TO THE SINK, PRINT DRIPPINGS ARE CONTAINED IN THE SINK-WASHER AREA; HENCE, THE FLOOR IS DRYER AND SAFER. BY PROVIDING A SQUEEGEE BOARD, PRINTS DO NOT DRIP WHEN TAKEN TO DRYING SCREENS.

ILLUSTRATED TO THE RIGHT IS A SEBASTIAN WALK-AROUND SINK CONNECTED TO A SEBASTIAN COMPANION CIRCULAR PRINT WASHER (SAME WIDTH AS THE SINK) WITH A SQUEEGEE BOARD.



SHOWN TO THE LEFT IS A SEBASTIAN WALK-AROUND SINK CONNECTED TO A SEBASTIAN COMPANION LAMINAR-FLOW PRINT WASHER (SAME WIDTH AS THE SINK) WITH A SQUEEGEE BOARD.

DO NOT USE SOLVENTS IN PVC SINKS

COMPATABILITY CHART

WALK-AROUND SINK MODEL	CIRCULAR WASHER MODEL	LAMINAR-FLOW WASHER MODEL	OVERALL WIDTH
SWAS-(LENGTH)x39	SCPWSS-33	SLFPWSS-33	39"
SWAS-(LENGTH)x51	SCPWSS-44	SLFPWSS-44	51"



SEBASTIAN DARKROOM PRODUCTS™ DIVISION OF CALIFORNIA STAINLESS MFG.

Unique, Innovative & Engineered to Work
TOLL FREE (888) 712-7035 FAX (805) 484-1030

calstainless@aol.com

www.sebastiandarkroomprod.com