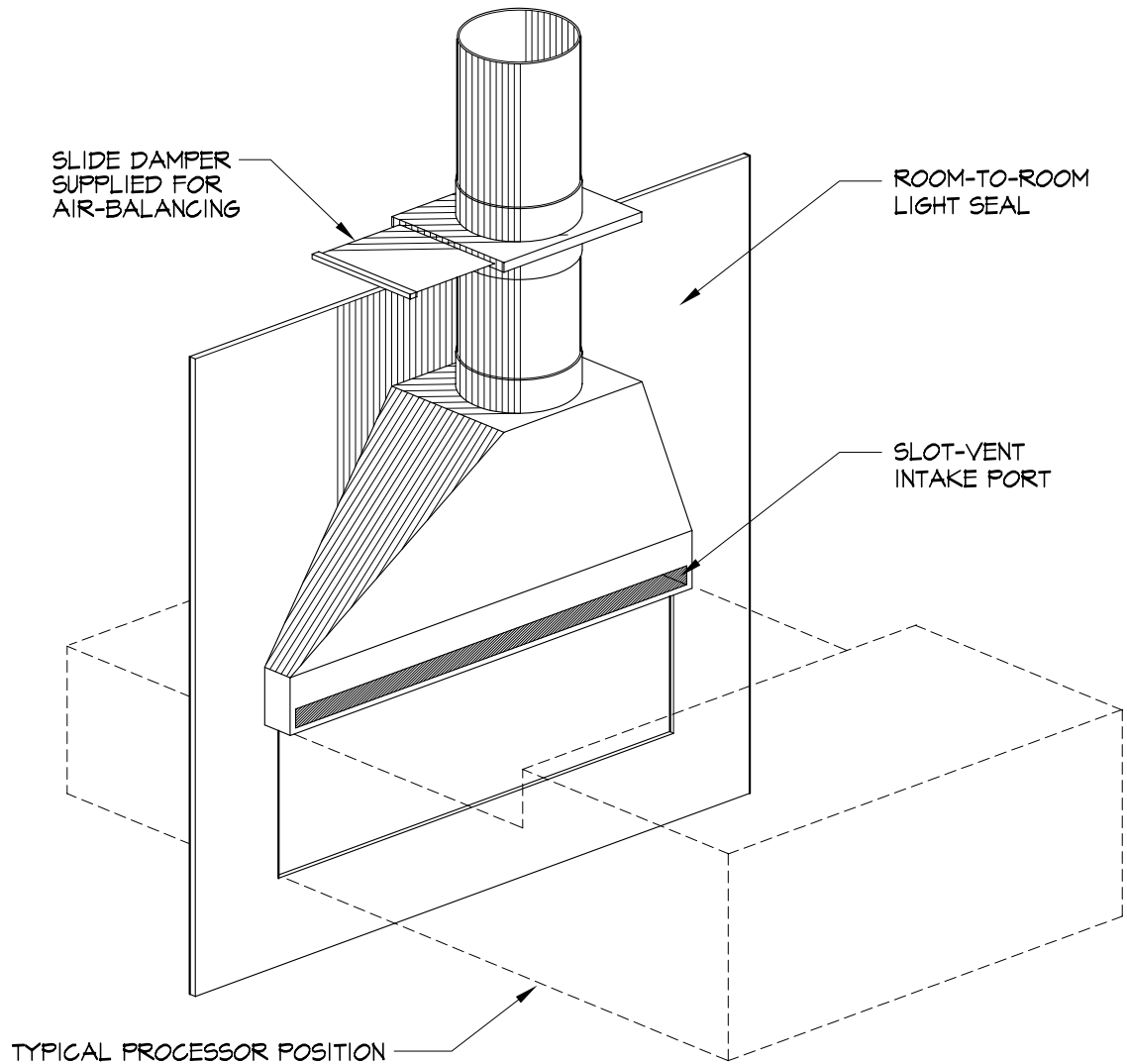


SEBASTIAN DARKROOM PRODUCTS™

SEBASTIAN SLOT-VENT VENT-HOOD FOR AUTOMATIC PRINT PROCESSORS - MODEL: SPVH-51

THE SEBASTIAN SPVH-51 SLOT-VENT VENT-HOOD SAFELY EXHAUSTS THE CHEMICAL FUMES GENERATED AT A PRINT PROCESSOR AS WELL AS PROVIDES A LIGHT-SEAL FOR THROUGH-THE-WALL MOUNTING. THE ENTIRE UNIT IS CONSTRUCTED OF POLYVINYL CHLORIDE, PVC PLASTIC, INERT TO ALL DARKROOM CHEMICALS. VARIOUS SIZES ARE AVAILABLE AND FIT SEVERAL PROCESSORS.



SEBASTIAN DARKROOM PRODUCTS™ DIVISION OF CALIFORNIA STAINLESS MFG.

Unique, Innovative & Engineered to Work
TOLL FREE (888) 712-7035 FAX (805) 484-1030

calstainless@aol.com
www.sebastiandarkroomprod.com