

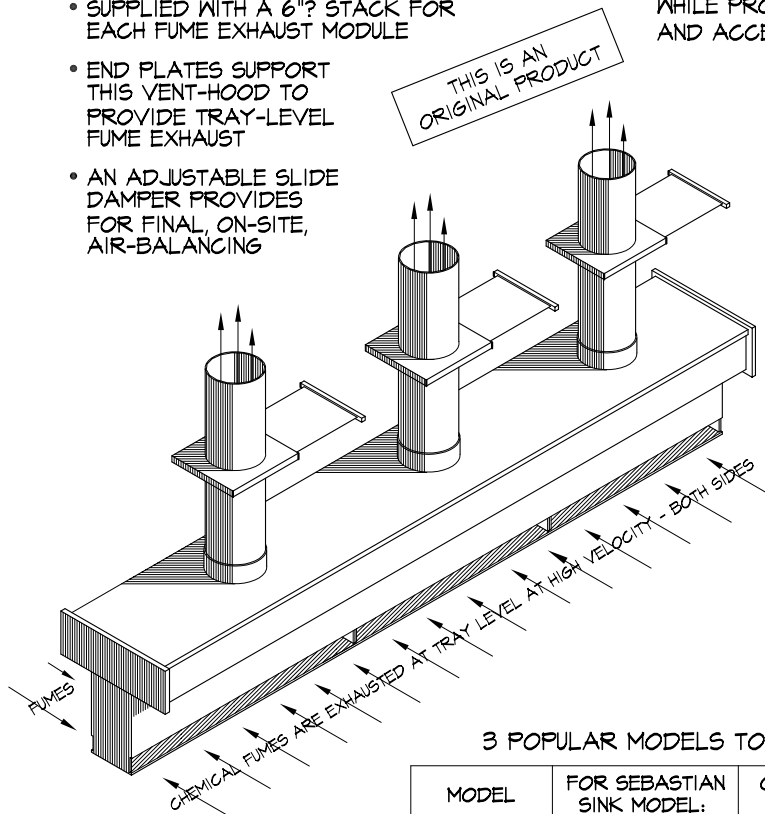
SEBASTIAN VENT-HOODS

SEBASTIAN CONTINUOUS SLOT-VENT-HOOD

FOR PHOTO DARKROOM WALK-AROUND SINKS
WITH A CONTINUOUS SLOT-VENT AT TRAY LEVEL

HIGH VELOCITY SLOT-VENT FUME EXHAUST SYSTEM
THE ULTIMATE IN WALK-AROUND SINK VENTILATION

- 18" WIDE SHELF UNIT SUPPORTED BY TWO FIBERGLASS BEAMS EXTENDING FULL LENGTH
- SUPPLIED WITH A 6"Ø STACK FOR EACH FUME EXHAUST MODULE
- END PLATES SUPPORT THIS VENT-HOOD TO PROVIDE TRAY-LEVEL FUME EXHAUST
- AN ADJUSTABLE SLIDE DAMPER PROVIDES FOR FINAL, ON-SITE, AIR-BALANCING



THE ULTIMATE WAY TO EFFICIENTLY REMOVE CHEMICAL FUMES FROM OPEN TRAYS OF CHEMICALS AT TRAY LEVEL AND EVENLY THROUGHOUT THE ENTIRE LENGTH OF THE SINK WHILE PROVIDING AN 18" WIDE SHELF FOR CHEMICAL TANKS AND ACCESSORIES.

- MADE ENTIRELY OF GRAY PVC PLASTIC INERT OF ALL PHOTO CHEMICALS
- MOUNTED WITH END PLATES OR RODS & CENTERED ON A WALK-AROUND SINK
- DESIGNED TO BE SUPPORTED ABOVE THE SINK USING PVC PANELS AT EACH END SUPPLIED AS STANDARD EQUIPMENT
- DUCTWORK ABOVE CEILING AND FANS ARE NOT SUPPLIED DUE TO VARIOUS BUILDING REQUIREMENTS
- DESIGN PROVIDES FOR CLEARANCE UNDER UNIT TO USE LARGE TRAYS ACROSS THE SINK
- CONTINUOUS SLOT-VENTS ARE AT TRAY LEVEL TO DIRECT FUMES AWAY FROM THE OPERATOR
- DESIGNED & LAB-TESTED BY PHOTO-MECHANICAL ENGINEERS & TEACHERS OF PHOTOGRAPHY

- PVC SUPPORT PLATES AND/OR HANGER RODS ARE SUPPLIED AS REQUIRED
(SEE PAGE I-7 FOR METHODS OF MOUNTING)

3 POPULAR MODELS TO FIT SEBASTIAN WALK-AROUND SINKS

MODEL	FOR SEBASTIAN SINK MODEL:	OVERALL LENGTH	NUMBER OF 6"Ø STACKS	cfm PER STACK	PRESSURE LOSS/STACK
SWASV-104	SWAS-10451	106-1/2"	3	525	0.44 WC
SWASV-136	SWAS-13651	138-1/2"	4	525	0.44 WC
SWASV-168	SWAS-16851	170-1/2"	5	525	0.44 WC

AVAILABLE IN MANY OTHER SIZES



SEBASTIAN DARKROOM PRODUCTS™
DIVISION OF CALIFORNIA STAINLESS MFG.

Unique, Innovative & Engineered to Work
TOLL FREE (888) 712-7035 FAX (805) 484-1030

calstainless@aol.com

www.sebastiandarkroomprod.com