

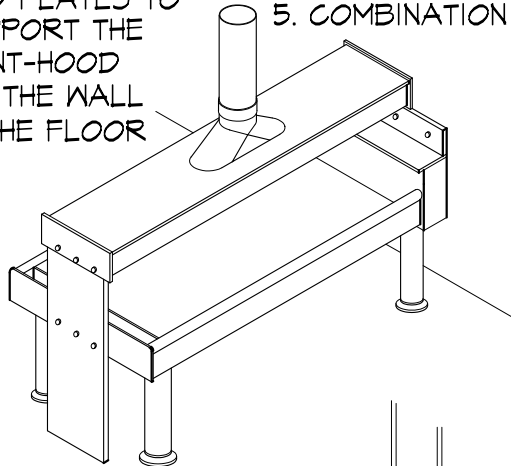
SEBASTIAN VENT-HOODS SUPPORTS FOR A WIDE VENT-HOOD OVER A WALK-AROUND SINK

THERE ARE FIVE METHODS OF MOUNTING AN "SWVHWA" WIDE VENT-HOOD SHELF UNIT OVER A DARKROOM WALK-AROUND SINK. WHEN ORDERING A WIDE VENT-HOOD, INDICATE THE MOUNTING SUPPORT PLATES REQUIRED AND/OR HANGER RODS REQUIRED:

1. PENINSULA SINKS SUPPORTED BY WALL & FLOOR ORDER: "SWVHS-1"
2. PENINSULA SINKS SUPPORTED BY WALL & SINK ORDER: "SWVHS-2"
3. ISLAND SINKS SUPPORTED BY HANGER RODS ORDER: "SWVHS-3"
4. ISLAND SINKS SUPPORTED BY FLOOR BOTH ENDS ORDER: "SWVHS-4"
5. COMBINATION OF SUPPORTS PLATES AND HANGER RODS (SPECIFY)

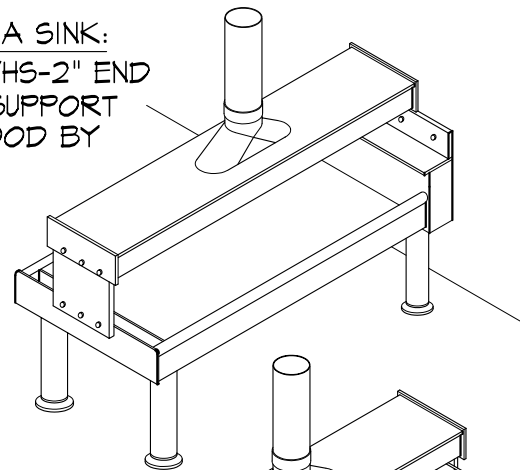
#1 PENINSULA SINK:

ORDER "SWVHS-1"
END PLATES TO
SUPPORT THE
VENT-HOOD
BY THE WALL
& THE FLOOR



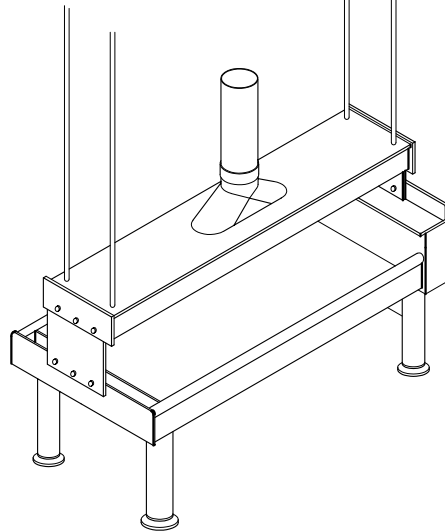
#2 PENINSULA SINK:

ORDER "SWVHS-2" END
PLATES TO SUPPORT
THE VENT-HOOD BY
THE WALL &
THE SINK



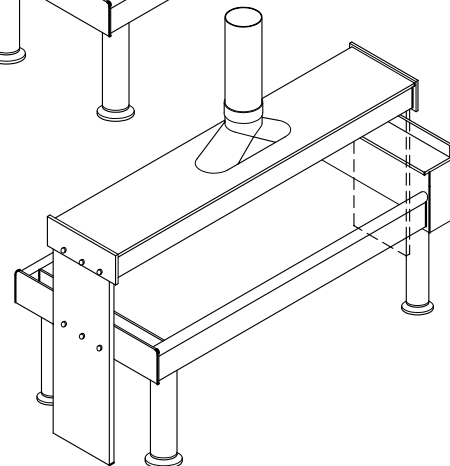
#3 ISLAND SINK:

ORDER "SWVHS-3"
STAINLESS STEEL
RODS WITH PVC
SLEEVES TO
SUPPORT THE
WIDE VENT-HOOD
FROM ABOVE.
TWO END PLATES ARE
SUPPLIED TO REDUCE
SHELF SWAY.
(4RODS6 ARE 6' LONG
ORDER "4RODS8" IF 8'
RODS ARE REQUIRED)
(OVERHEAD ANCHORAGE
AND/OR TRAPEZE BY OTHERS)



#4 ISLAND SINK:

ORDER "SWVHS-4" END PLATES
TO SUPPORT THE VENT-HOOD
BY THE FLOOR AT BOTH ENDS



SEBASTIAN DARKROOM PRODUCTS™
DIVISION OF CALIFORNIA STAINLESS MFG.

Unique, Innovative & Engineered to Work
TOLL FREE (888) 712-7035 FAX (805) 484-1030

calstainless@aol.com

www.sebastiandarkroomprod.com