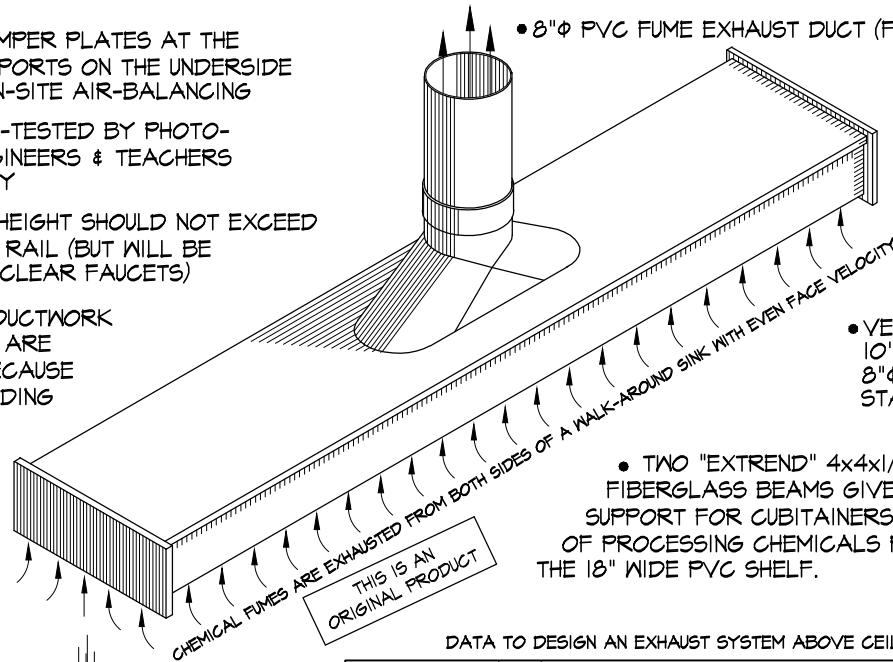


# SEBASTIAN VENT-HOODS

## SEBASTIAN PVC WIDE VENT-HOOD WITH 18" WIDE SHELF FOR DARKROOM WALK-AROUND SINKS

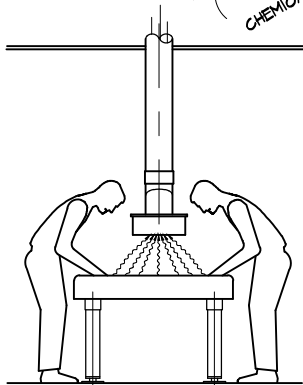
THE "SNVHWA" VENT-HOOD SAFELY REMOVES CHEMICAL FUMES CREATED IN A DARKROOM WALK-AROUND SINK. THIS VENT-HOOD IS CENTERED OVER THE SINK AND DRAWS FUMES AWAY FROM THE STUDENT'S FACES. THE TOP OF THE VENT-HOOD PROVIDES A HANDY 18" WIDE UTILITY SHELF FOR TIMER AND HANDY SUPPLY OF PROCESSING CHEMICALS. ENTIRE HOOD IS MADE OF POLYVINYL CHLORIDE, PVC, WHICH IS NON-CORROSIVE AND INERT TO ALL PHOTO DARKROOM CHEMICALS. THIS VENT-HOOD IS SUPPORTED FROM THE FLOOR, SINK, OR HUNG BY STAINLESS STEEL RODS COVERED WITH PVC SLEEVES OR ANY COMBINATION OF THESE SUPPORTS.

- ADJUSTABLE DAMPER PLATES AT THE FUME ENTRANCE PORTS ON THE UNDERSIDE PROVIDE FOR ON-SITE AIR-BALANCING
- DESIGNED & LAB-TESTED BY PHOTO-MECHANICAL ENGINEERS & TEACHERS OF PHOTOGRAPHY
- SHELF SURFACE HEIGHT SHOULD NOT EXCEED 20" ABOVE SINK RAIL (BUT WILL BE HIGH ENOUGH TO CLEAR FAUCETS)
- ABOVE CEILING DUCTWORK & EXHAUST FANS ARE NOT SUPPLIED BECAUSE OF VARIOUS BUILDING CONFIGURATIONS



• VENT-HOODS ONER 10' LONG HAVE TWO 8"Φ PVC EXHAUST STACKS.

• TWO "EXTREND" 4x4x1/4" INTERNAL FIBERGLASS BEAMS GIVE ADEQUATE SUPPORT FOR CUBITAINERS AND TANKS OF PROCESSING CHEMICALS PLACED ON THE 18" WIDE PVC SHELF.



- CHEMICAL FUMES ARE CAPTURED EVENLY THROUGHOUT THE ENTIRE LENGTH OF THE SINK AND AWAY FROM STUDENT'S FACES.

DATA TO DESIGN AN EXHAUST SYSTEM ABOVE CEILING

WIDE VENT-HOOD MODEL FOR A WALK-AROUND SINK	SINK LENGTH	cfm Required per Stack					EXHAUST STACKS	PRESSURE LOSS INCHES WC (EACH STACK)
		cfm req'd for 24" wide sink	cfm req'd for 30" wide sink	cfm req'd for 36" wide sink	cfm req'd for 42" wide sink	cfm req'd for 48" wide sink		
SNVHWA-120	10'	1,000	1,250	1,500	1,750	2,000	1	1.16
SNVHWA-132	11'	550	688	825	963	1,100	2	0.38
SNVHWA-144	12'	600	750	900	1,050	1,200	2	0.41
SNVHWA-156	13'	650	813	975	1,138	1,300	2	0.49
SNVHWA-168	14'	700	875	1,050	1,225	1,400	2	0.59
SNVHWA-180	15'	750	938	1,125	1,313	1,500	2	0.68
SNVHWA-196	16'	800	1,000	1,200	1,400	1,600	2	0.77
SNVHWA-204	17'	850	1,063	1,275	1,530	1,700	2	0.86
SNVHWA-216	18'	900	1,125	1,350	1,575	1,800	2	0.96
SNVHWA-228	19'	950	1,188	1,425	1,663	1,900	2	1.06
SNVHWA-240	20'	1,000	1,250	1,500	1,750	2,000	2	1.16

7-28-11



### SEBASTIAN DARKROOM PRODUCTS™

DIVISION OF CALIFORNIA STAINLESS MFG., INC.

UNIQUE, INNOVATIVE & ENGINEERED TO WORK

TOLL FREE (888) 712-7035 FAX (805) 484-1030

calstainless@aol.com www.sebastiandarkroomprod.com