

SEBASTIAN VENT-HOODS

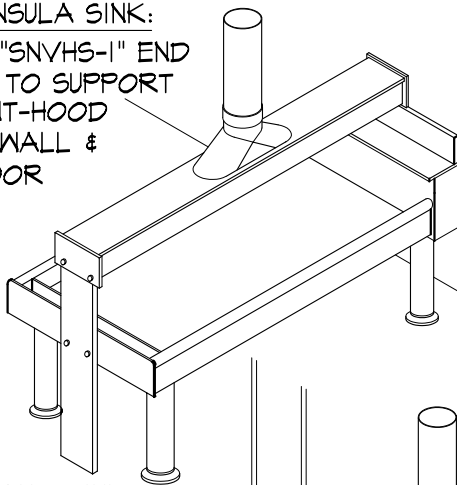
SUPPORTS FOR A NARROW VENT-HOOD OVER A WALK-AROUND SINK

THERE ARE FIVE METHODS OF SUPPORTING AN "SNVHWA" VENT-HOOD SHELF UNIT OVER A SEBASTIAN DARKROOM WALK-AROUND SINK. WHEN ORDERING A NARROW VENT-HOOD INDICATE THE MOUNTING SUPPORT PLATES OR HANGER RODS.

1. PENINSULA SINKS SUPPORTED BY WALL & FLOOR ORDER: "SNVHS-1"
2. PENINSULA SINKS SUPPORTED BY WALL & SINK ORDER: "SNVHS-2"
3. ISLAND SINKS SUPPORTED BY HANGER RODS ORDER: "SNVHS-3"
4. ISLAND SINKS SUPPORTED BY FLOOR BOTH ENDS ORDER: "SNVHS-4"
5. COMBINATION OF SUPPORT PLATES AND HANGER RODS (SPECIFY YOUR SPECIAL REQUIREMENTS)

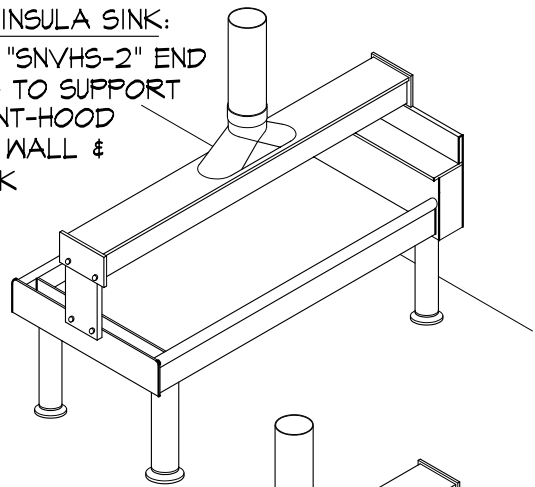
#1 PENINSULA SINK:

ORDER "SNVHS-1" END PLATES TO SUPPORT THE VENT-HOOD BY THE WALL & THE FLOOR



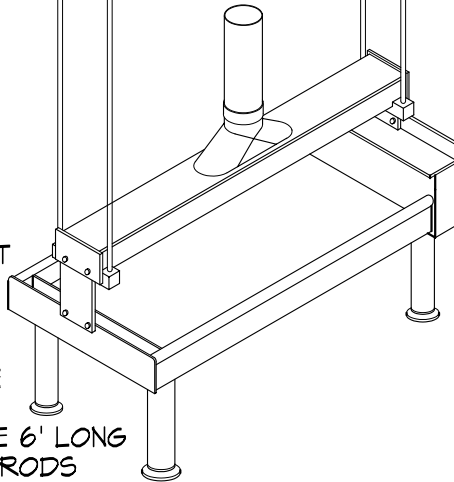
#2 PENINSULA SINK:

ORDER "SNVHS-2" END PLATES TO SUPPORT THE VENT-HOOD BY THE WALL & THE SINK



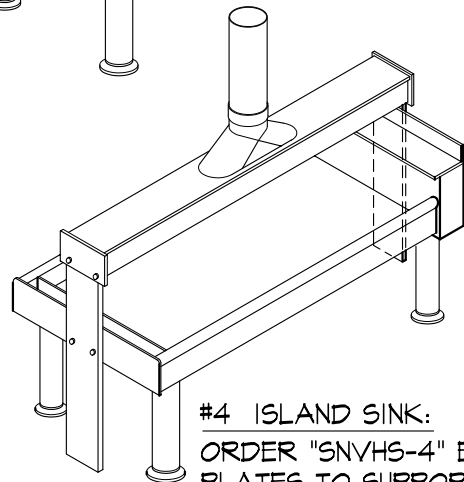
#3 ISLAND SINK:

ORDER "SNVHS-3" STAINLESS STEEL RODS WITH CROSS BEAMS WITH PVC SLEEVES TO SUPPORT THE NARROW VENT-HOOD FROM ABOVE. TWO END PLATES SUPPLIED TO REDUCE SHELF SWAY. ("4RODS6" RODS ARE 6' LONG ORDER "4RODS8" IF RODS 8 FOOT LONG ARE REQUIRED) (OVERHEAD ANCHORAGE AND/OR TRAPEZE BY OTHERS)



#4 ISLAND SINK:

ORDER "SNVHS-4" END PLATES TO SUPPORT THE VENT-HOOD BY THE FLOOR AT BOTH ENDS



SEBASTIAN DARKROOM PRODUCTS™
DIVISION OF CALIFORNIA STAINLESS MFG.

Unique, Innovative & Engineered to Work
TOLL FREE (888) 712-7035 FAX (805) 484-1030
calstainless@aol.com
www.sebastiandarkroomprod.com