

SEBASTIAN VENT-HOODS

SEBASTIAN PVC NARROW VENT-HOOD WITH 10" WIDE SHELF FOR A DARKROOM WALK-AROUND SINK

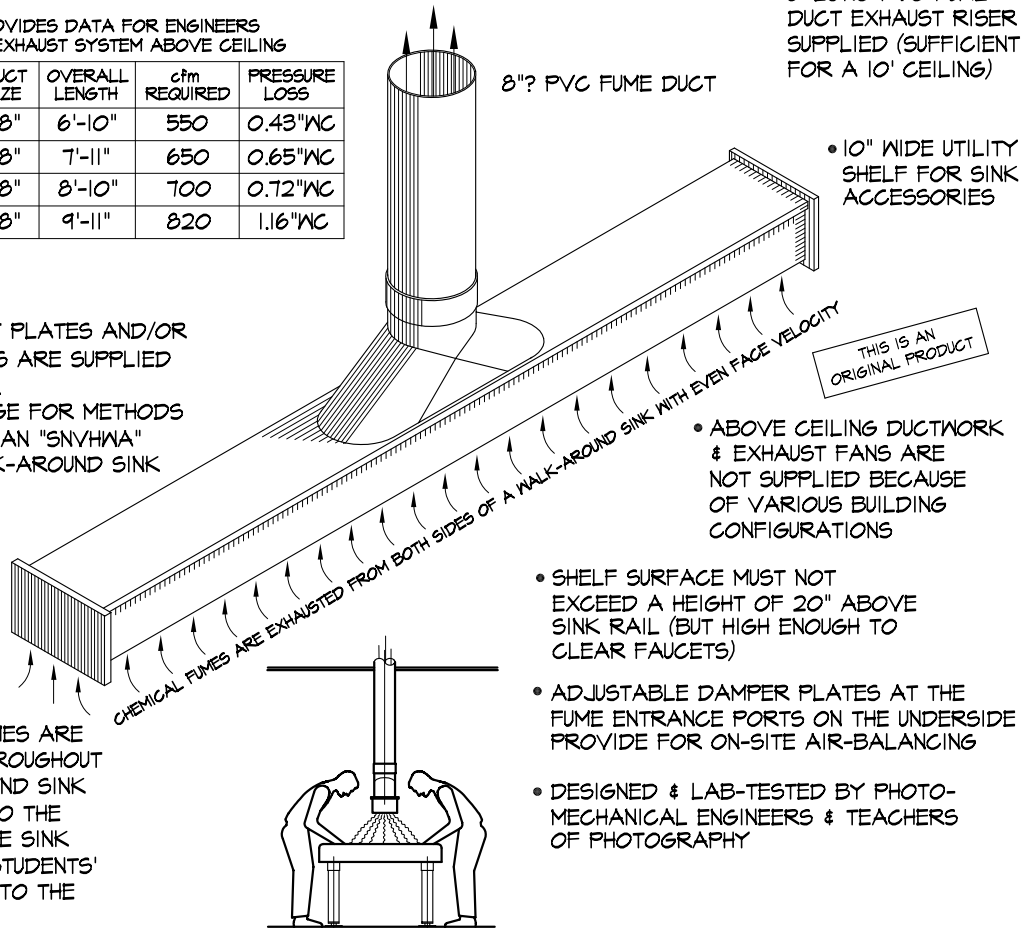
THE "SNVHWA" VENT-HOOD SAFELY REMOVES CHEMICAL FUMES CREATED IN A DARKROOM WALK-AROUND SINK. THIS VENT-HOOD IS CENTERED OVER THE SINK AND DRAWS FUMES TO THE CENTER OF THE SINK AND AWAY FROM THE FACES OF STUDENTS. THE TOP OF THE VENT-HOOD PROVIDES A HANDY 10" WIDE UTILITY SHELF FOR TIMER & DARKROOM UTENSILS. THE ENTIRE HOOD IS MADE OF POLYVINYL CHLORIDE, PVC, WHICH IS NON-CORROSIVE AND INERT TO ALL PHOTO DARKROOM CHEMICALS. THIS VENT-HOOD MAY BE SUPPORTED FROM THE FLOOR, OR SINK, OR HUNG BY STAINLESS STEEL RODS COVERED WITH PVC SLEEVES OR ANY COMBINATION OF THESE SUPPORTS. (SEE PAGE I-5) AVAILABLE IN ANY LENGTH - NOT TO EXCEED 120."

THIS TABLE PROVIDES DATA FOR ENGINEERS TO DESIGN AN EXHAUST SYSTEM ABOVE CEILING

MODEL #	DUCT SIZE	OVERALL LENGTH	cfm REQUIRED	PRESSURE LOSS
SNVHWA-82	8"	6'-10"	550	0.43"WC
SNVHWA-95	8"	7'-11"	650	0.65"WC
SNVHWA-106	8"	8'-10"	700	0.72"WC
SNVHWA-119	8"	9'-11"	820	1.16"WC

- PVC SUPPORT PLATES AND/OR HANGER RODS ARE SUPPLIED AS REQUIRED. SEE NEXT PAGE FOR METHODS OF MOUNTING AN "SNVHWA" OVER A WALK-AROUND SINK

- CHEMICAL FUMES ARE CAPTURED THROUGHOUT A WALK-AROUND SINK AND DRAWN TO THE MIDDLE OF THE SINK AWAY FROM STUDENTS' FACES AND INTO THE VENT-HOOD.



- 5' LONG PVC FUME DUCT EXHAUST RISER SUPPLIED (SUFFICIENT FOR A 10' CEILING)

- 10" WIDE UTILITY SHELF FOR SINK ACCESSORIES

- ABOVE CEILING DUCTWORK & EXHAUST FANS ARE NOT SUPPLIED BECAUSE OF VARIOUS BUILDING CONFIGURATIONS

- SHELF SURFACE MUST NOT EXCEED A HEIGHT OF 20" ABOVE SINK RAIL (BUT HIGH ENOUGH TO CLEAR FAUCETS)

- ADJUSTABLE DAMPER PLATES AT THE FUME ENTRANCE PORTS ON THE UNDERSIDE PROVIDE FOR ON-SITE AIR-BALANCING

- DESIGNED & LAB-TESTED BY PHOTO-MECHANICAL ENGINEERS & TEACHERS OF PHOTOGRAPHY



SEBASTIAN DARKROOM PRODUCTS™ DIVISION OF CALIFORNIA STAINLESS MFG.

Unique, Innovative & Engineered to Work
TOLL FREE (888) 712-7035 FAX (805) 484-1030
calstainless@aol.com
www.sebastiandarkroomprod.com