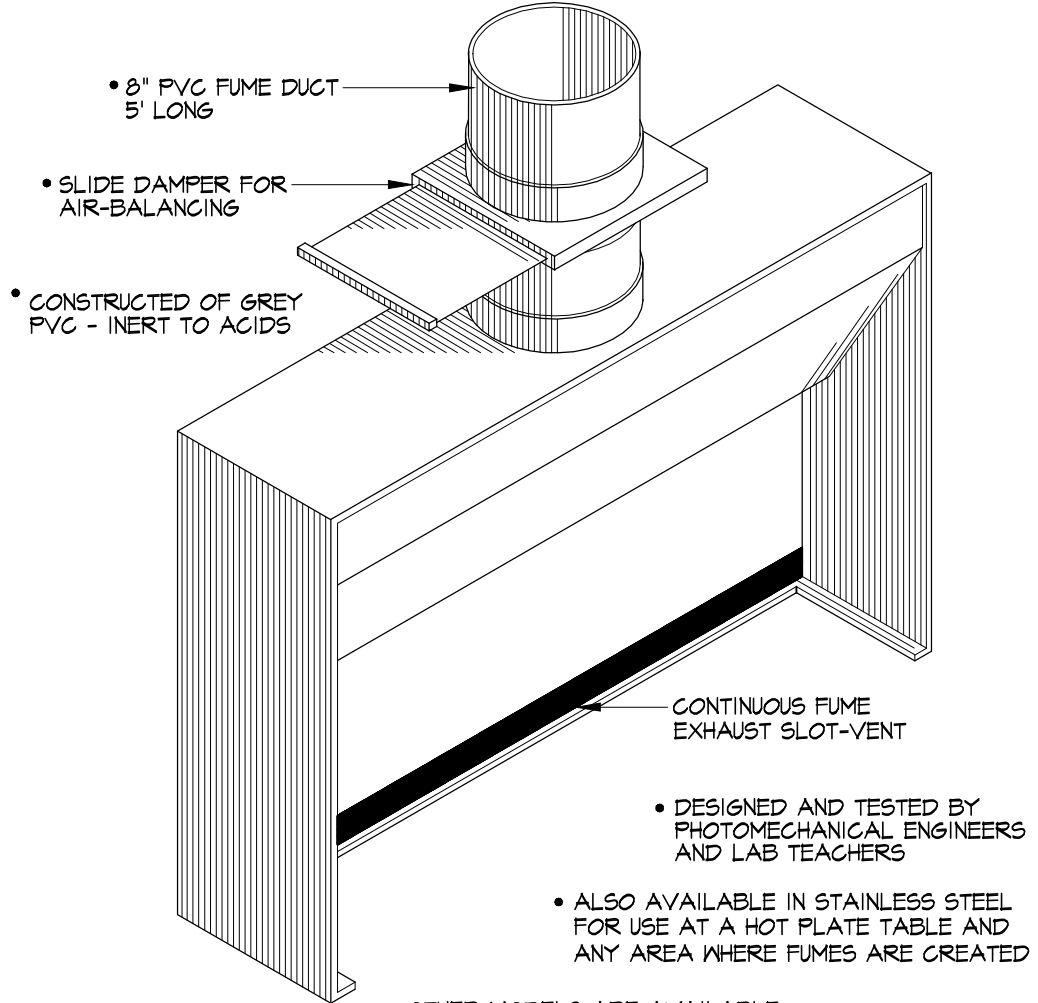


SEBASTIAN PRINTMAKING EQUIPMENT

SEBASTIAN SLOT-VENT-HOOD

FOR ETCHING SINKS & TANKS AND ANY SURFACE WHERE FUMES ARE GENERATED



OTHER MODELS ARE AVAILABLE

MODEL	NUMBER OF STACKS	STACK SIZE	cfm REQ'D PER STACK	LOSS PER STACK	FOOT PRINT	OA SIZE WxHxD
SAPSV-36	1	8"	450	0.22" WC	36"x12"	36"x48"x12"
SAPSV-48	1	8"	600	0.29" WC	48"x12"	48"x48"x12"
SAPSV-60	2	8"	375	0.20" WC	60"x12"	60"x48"x12"
SAPSV-72	2	8"	450	0.25" WC	72"x12"	72"x48"x12"

12-1-2014



SEBASTIAN DARKROOM PRODUCTS™
 DIVISION OF CALIFORNIA STAINLESS MFG., INC.
 UNIQUE, INNOVATIVE & ENGINEERED TO WORK
 TOLL FREE (888) 712-7035 FAX (805) 484-1030
 calstainless@aol.com www.sebastiandarkroomprod.com