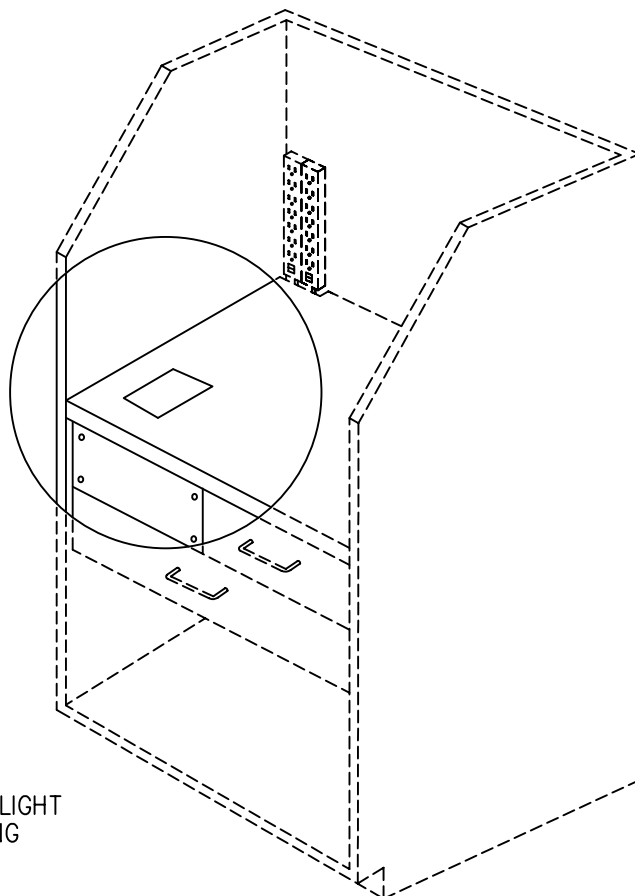


# SEBASTIAN SAFE VIEW LIGHT "SVL57" FOR ANY SEBASTIAN ENLARGER BOOTH

THE "SVL57" SAFE VIEW LIGHT WILL ENABLE THE STUDENT TO DISCRETELY VIEW AND CLEAN NEGATIVES IN SAFELIGHT. IT PROVIDES A BACKLIGHT TO ADJUST NEGATIVES IN CARRIERS. ILLUSTRATED BELOW IS A "SVL57" SAFE VIEW LIGHT INSTALLED IN A "SEB5" ENLARGER BOOTH. THE SECOND PLUG STRIP SUPPLIES POWER AND IS THE ON/OFF SWITCH.



"SVL57" SAFE VIEW LIGHT  
IS 5" WIDE x 7" LONG

THE COMPARTMENT BELOW THE "SVL57" SAFE VIEW LIGHT IS DEDICATED TO THE LIGHT SOURCE AND HAS A REMOVEABLE FRONT PANEL FOR SERVICE. THE SAFELIGHT FILTER IS TYPE "OC" FOR BLACK & WHITE PROCESSING. THE LIGHT SOURCE IS COVERED WITH A CLEAR SAFETY GLASS. AS SHOWN ABOVE THE UPPER DRAWER BECOMES A HALF DRAWER. OPTION: FOR COLOR DARKROOMS, ORDER #179 6663 KODAK #13 SAFELIGHT FILTER.



**SEBASTIAN DARKROOM PRODUCTS™**  
**DIVISION OF CALIFORNIA STAINLESS MFG.**

Unique, Innovative & Engineered to Work  
TOLL FREE (888) 712-7035 FAX (805) 484-1030  
[calstainless@aol.com](mailto:calstainless@aol.com)  
[www.sebastiandarkroomprod.com](http://www.sebastiandarkroomprod.com)