

SEBASTIAN ENLARGER BOOTH

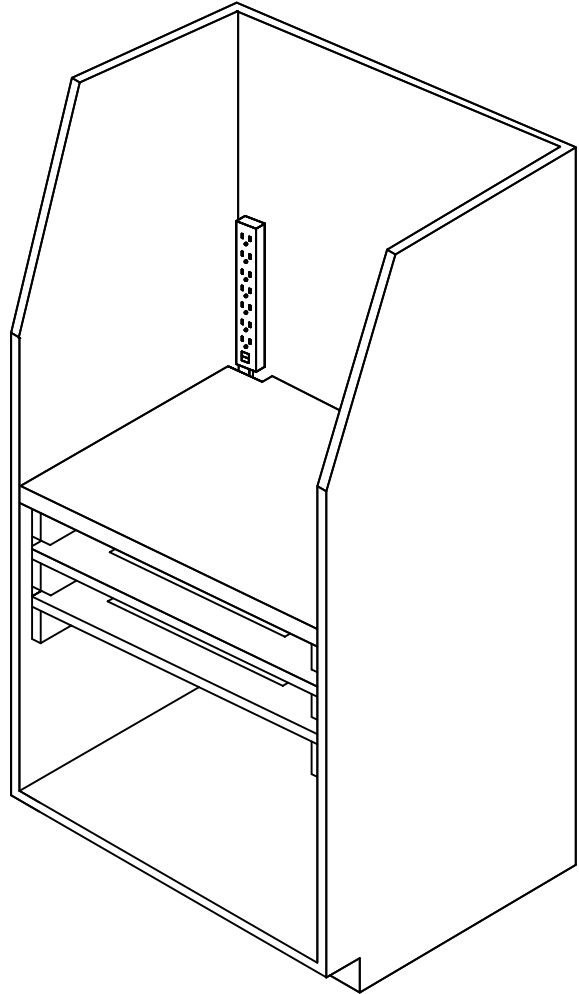
MODEL: SEB6

THE "SEB6" SEBASTIAN ENLARGER BOOTH IS A FACTORY ASSEMBLED UNIT AND IT IS VERY EASY TO INSTALL. IT CAN BE BUILT INTO OTHER CASEWORK OR USED AS A STAND ALONE UNIT. IT IS AVAILABLE IN FIVE WIDTHS: 30", 33", 36", 39" AND 42". AND IS 72" TALL.

A SWITCHED PLUG STRIP IS POWERED BY AN OUTLET 18" ABOVE THE FLOOR (OUTLET BY OTHERS).

IT IS FINISHED THROUGHOUT WITH WILSON ART #1595-60 "BLACK" LAMINATE.

THE "SEB6" IS EQUIPPED WITH TWO PRINT DRYING SCREENS AND A BASE SHELF.



(SEE PAGE C-28 FOR THE SEBASTIAN "SEB9H" WHEELCHAIR ADA UNIT)

ENLARGER NOT INCLUDED.



SEBASTIAN DARKROOM PRODUCTS™
DIVISION OF CALIFORNIA STAINLESS MFG.

Unique, Innovative & Engineered to Work
TOLL FREE (888) 712-7035 FAX (805) 484-1030

calstainless@aol.com
www.sebastiandarkroomprod.com