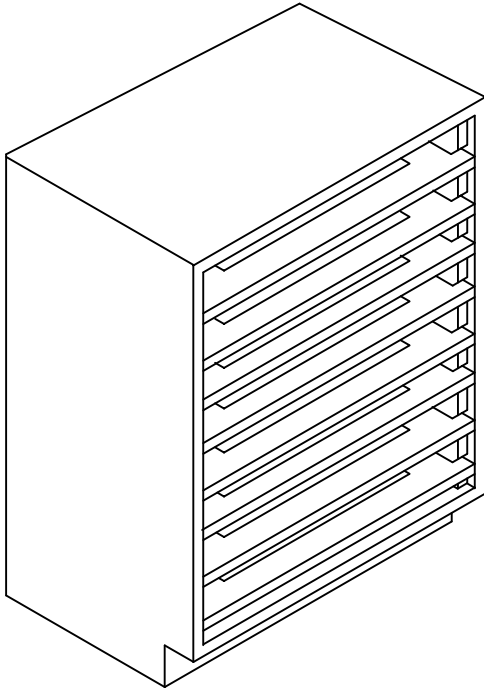
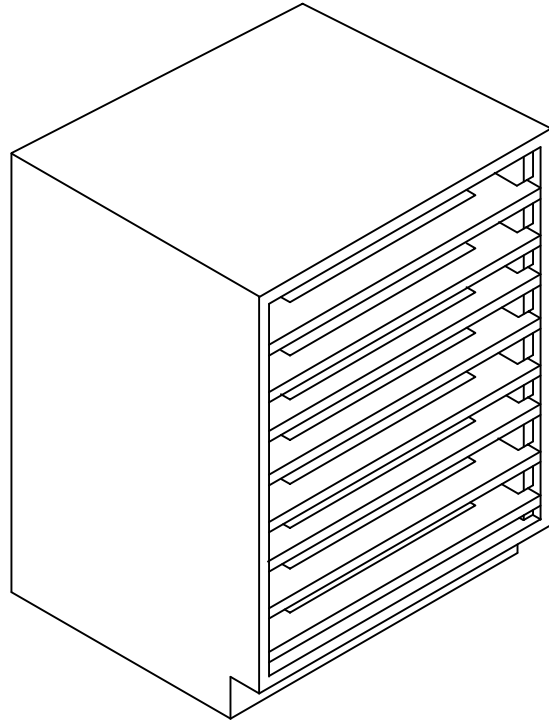


SEBASTIAN PRINT DRYING SCREEN CABINETS – "SPS"

THE "SPS" PRINT DRYING SCREEN CABINETS ARE AVAILABLE IN TWO HEIGHTS: 34", 36" AND 72". THE SCREENS ARE FIBERGLASS PLASTIC AND WILL NOT HARM WET PRINTS. THEY SLIDE OUT FOR EASY LOADING AND UNLOADING. SCREEN FRAMES ARE MADE OF 3/4" THICK BIRCH PLYWOOD WITH A WATERPROOF FINISH. ORDER COUNTER TOPS SEPARATELY.



SPS – 23" DEEP



SPS – 28" DEEP

OVERALL CABINET HEIGHT WITH 1-1/4" COUNTER TOP = 36"

PRINT SCREEN CABINET MODEL	WIDTH	HEIGHT	DEPTH	# OF SCREENS
SPS-243623	24"	36"	23"	8
SPS-273623	27"	36"	23"	8
SPS-303623	30"	36"	23"	8
SPS-333623	33"	36"	23"	8
SPS-363623	36"	36"	23"	8

PRINT SCREEN TALL CAB MODEL	WIDTH	HEIGHT	DEPTH	# OF SCREENS
SPS-368428	36"	84"	28"	18
SPS-428428	42"	84"	28"	18

PRINT SCREEN CABINET MODEL	WIDTH	HEIGHT	DEPTH	# OF SCREENS
SPS-243628	24"	36"	28"	8
SPS-273628	27"	36"	28"	8
SPS-303628	30"	36"	28"	8
SPS-333628	33"	36"	28"	8
SPS-363628	36"	36"	28"	8
SPS-393628	39"	36"	28"	8
SPS-423628	42"	36"	28"	8
SPS-453628	45"	36"	28"	8
SPS-483628	48"	36"	28"	8



SEBASTIAN DARKROOM PRODUCTS™
DIVISION OF CALIFORNIA STAINLESS MFG.

Unique, Innovative & Engineered to Work
TOLL FREE (888) 712-7035 FAX (805) 484-1030

calstainless@aol.com

www.sebastiandarkroomprod.com